

COMMISSIONERS
1st Division
Aaron Newman
2nd Division
Greg Dale
3rd Division
Mike Wilson
4th Division
Richard Marks
5th Division
Patrick Higgins

**HUMBOLDT BAY
HARBOR, RECREATION, AND CONSERVATION
DISTRICT
(707) 443-0801
P.O. Box 1030
Eureka, California 95502-1030**



ADVERTISEMENT FOR BIDS

**HUMBOLDT BAY HARBOR, RECREATION AND CONSERVATION DISTRICT
OWNER**

P.O. Box 1030
Eureka, CA 95502-1030

Separate sealed bids will be received for the installation of 143 supplied new electrical power pedestals for the floating docks at Woodley Island Marina, 601 Startare Drive, Eureka, CA.

The specifications for the electrical power pedestal Installation is available at the Harbor District Office, 601 Startare Drive, Woodley Island, Eureka, CA, between the hours of 8:00 AM and 5:00 PM Monday through Friday. A job pre-bid walkthrough will be held on Monday, May 6, 2013 at 2:00 PM at Woodley Island Marina.

This project is subject to the prevailing wage requirements of California Labor Code Sections 1770 et. seq. and related law.

Bids will be received by the Humboldt Bay Harbor, Recreation and Conservation District, Woodley Island Marina, P.O. Box 1030, Eureka, California, 95502-1030, until 2:00 PM Pacific Standard Time, Thursday, May 16, 2013 and then at said office, publicly opened and read aloud. It is estimated that the lowest responsible, responsive bidder will be awarded the bid on May 23, 2013. The successful bidder will then have until 5:00 PM on June 28, 2013 to complete the electrical power pedestal installation. The power pedestals are being delivered in a series of three (3) partial deliveries. In the case that a portion of the power pedestals are not delivered in time to accomplish the completion date of June 28, 2013, Harbor District will extend the completion date for the installation for a reasonable period.

The Harbor District reserves the right to reject any and all bids. The Harbor District will not be liable for any cost incurred by the Bidder incidental to the preparation, submittal or evaluation of their bids, or in the negotiation, execution and delivery of an agreement that may be awarded as a result of this Advertisement for Bids.

Jack Crider, CEO
Humboldt Bay Harbor, Recreation and
Conservation District

Woodley Island Marina Electrical Power Pedestals Installation Agreement

THIS AGREEMENT, MADE THIS _____ DAY OF _____ 2013, by and between the Humboldt Bay Harbor, Recreation and Conservation District, hereinafter called the "DISTRICT" and licensed electrical contractor _____ doing business as (an individual), or (a partnership), or (a corporation), hereinafter called "CONTRACTOR."

WITNESSETH: That for and in consideration of payments and agreements hereinafter mentioned:

1. CONTRACTOR, a licensed electrical contractor, will commence and complete the installation of 143 supplied new electrical power pedestals on the floating docks located at Woodley Island Marina as described in Exhibit A, which is incorporated by reference as part of this Agreement.
2. CONTRACTOR will furnish all of the material, supplies, tools, equipment, labor and other services necessary for the electrical power pedestals installation described in Exhibit A.
3. CONTRACTOR will commence the electrical power pedestals installation within 10 calendar days after the date of award and will complete the same on or before 5:00 PM, June 28, 2013 unless the period for completion is extended otherwise by agreement of the DISTRICT.
4. CONTRACTOR agrees to perform all of the work described in the Bid Specifications, (Exhibit A) and comply with terms therein for the sum of \$ _____. Bid amount will include applicable taxes. The bid amount does not exceed \$40,000.00.
5. Payment will be made within 30 days of complete installation and acceptance by the DISTRICT.
6. CONTRACTOR is required to comply with the State of California prevailing wage laws in effect at the time of execution of this Agreement. See California Labor Code sections 1770 et. seq. and related legal provisions. CONTRACTOR will be required to comply with any changes in these wage rates as they are updated by the State of California at no additional cost to DISTRICT.
7. All work is to be done in accordance with DISTRICT'S specifications as described in Exhibit A in a manner and subject reasonably acceptable by DISTRICT. It is understood that the CONTRACTOR will perform hereunder will be in its professional capacity as an independent entity; and that at no time shall CONTRACTOR be deemed an employee or agent of DISTRICT, nor shall it have the authority to obligate DISTRICT in any manner.

8. CONTRACTOR assumes full and exclusive responsibility for the payment of all compensation and expenses of CONTRACTOR'S employees and for all state and federal income tax, unemployment insurance, Social Security, disability insurance and other applicable withholdings, measured by the wages, salaries or other remuneration paid CONTRACTOR'S employees; and CONTRACTOR further agrees to comply with all rules and regulations applicable thereto.
9. The standard of care applicable to CONTRACTOR'S services will be the degree of skill and diligence normally employed by others performing the same or similar services. CONTRACTOR shall not assign any interest in this contract without prior written approval of DISTRICT. CONTRACTOR shall correct any defective work subsequently discovered on all incomplete, inaccurate, or defective work rendered by CONTRACTOR and shall be remedied by CONTRACTOR on demand without cost to DISTRICT for a period of three (3) years commencing on the date of acceptance by DISTRICT.
10. In the performance of this agreement, CONTRACTOR shall comply with all applicable local, state, and federal laws, rules, regulations, and ordinances including those relating to the environment, toxic or hazardous materials, and occupational health and safety. CONTRACTOR shall be responsible for the proper handling, control and disposal of any hazardous materials or waste that may be discovered, generated or utilized in the performance of this Agreement.
11. With respect to operations performed under or incident to this agreement, CONTRACTOR agrees to obtain and maintain the following insurance with coverages listed below:
 - a) Worker's compensation insurance meeting statutory limits and employers liability insurance in an amount not less than \$1,000,000 for all employees engaged in this Project;
 - b) Professional and General liability insurance that provide protection for claims which may arise out of or result from operations or performance under this agreement. Liability insurance coverages shall be not less than a single limit coverage of \$1,000,000;
 - c) Comprehensive automobile liability insurance covering all owned, hired, and otherwise operated non-owned vehicles with a minimum combined single limit of \$1,000,000 each occurrence (or the equivalent) for bodily injury and property damage.
 - d) All insurance certificates shall list DISTRICT as additionally insured and include an Endorsement.

Any and all deductible amounts are the responsibility of the CONTRACTOR.

In the event that the CONTRACTOR contracts the services of other consultants (subconsultants) as part of the work covered by this Agreement, it shall be the CONTRACTOR'S responsibility to require and confirm that each subconsultant meets the minimum insurance requirements specified above.

12. All permits required by law will be the responsibility of the CONTRACTOR and will be obtained at CONTRACTOR'S expense except those permits expressly provided by DISTRICT.
13. DISTRICT shall have the right, at any time, in its sole discretion and with or without cause, by ten (10) days written notice to CONTRACTOR, to cancel this Agreement. CONTRACTOR shall stop work immediately upon receipt of a notice of termination.

If District exercises its right to terminate the Agreement, upon termination DISTRICT will reimburse CONTRACTOR within thirty (30) days for the services which were performed prior to termination, based upon an invoice submitted to DISTRICT describing the services completed prior to termination and an itemization of time spent and expenditures incurred. Such sums shall in no event exceed the total amount described in this Agreement.

14. CONTRACTOR shall be responsible for all injuries or deaths to persons and all damage to property of DISTRICT or others caused by or resulting from the negligence of CONTRACTOR, its employees, agents, or subcontractors during the progress of or connected with rendition of services herein rendered, and shall defend and hold harmless and indemnify DISTRICT and all its officers and employees of DISTRICT from all costs and payments for damages for injuries or deaths arising out of the negligence of performance of work of CONTRACTOR or its subcontractors under this Agreement.
15. Contractors are required by law to be licensed and regulated by the Contractor's State License Board. Any questions concerning a Contractor may be referred to the Registrar, Contractor's State License Board, 3132 Bradstone Road, P.O. Box 2600, Sacramento, CA 95826.
16. This Agreement represents the entire agreement between DISTRICT AND CONTRACTOR and supersedes all prior negotiations, representations or agreements, either written or oral. In the event any provision of this Agreement shall be determined to be void or unenforceable by any court of competent jurisdiction, then such determination shall not affect any other provision of this Agreement and all such other provisions shall remain in full force and effect.

This Agreement shall be binding upon all parties hereto and their respective heirs, executors, administrators, successors, and assigns.

IN WITNESS WHEREOF, the parties hereto have executed, or caused to be executed by their duly authorized officials, this Agreement in quadruplicate, each of which shall be deemed and original on the date first above written.

Humboldt Bay Harbor, Recreation &
Conservation District

By _____
MIKE WILSON, President
Board of Commissioners

PATRICK HIGGINS, Secretary
Board of Commissioners

Contractor (Seal)

By _____

Address

Reviewed:

District Counsel

EXHIBIT A:

**BID SPECIFICATIONS
Woodley Island Marina
Electrical Power Pedestals Installation**

SECTION I. SCOPE OF WORK

The **CONTRACTOR** will provide labor, materials and equipment to complete the installation of 143 new supplied electrical power pedestals on the floating docks at Woodley Island Marina.

SECTION II. LOCATION OF THE WORK

Woodley Island Marina is located at 601 Startare Drive, Eureka, CA 95501.

SECTION III. TIME OF COMPLETION

The **CONTRACTOR** shall diligently prosecute the work under this contract to completion before June 28, 2013, and the liquidated damages shall be the sum of Two Hundred Dollars (\$200) per day for each and every day's delay in finishing the work beyond the time prescribed herein unless approved in writing by **DISTRICT**.

SECTION IV. INSURANCE

A. Public Liability

The **CONTRACTOR** shall take out and maintain, throughout the period of this contract comprehensive general liability insurance with minimum limits \$1,000,000 combined single limit (CSL), or \$1,000,000 bodily injury per occurrence and \$1,000,000 property damage per occurrence, covering all bodily injury and property damage arising out of its operation under this agreement.

B. Automobile

The **CONTRACTOR** shall provide automobile insurance covering all bodily injury and property liability incurred during the performance of this contract with minimum coverage of \$1,000,000 for property damage per accident, \$1,000,000 for bodily injury for each person, and not less than \$1,000,000 for bodily injury per accident: or \$1,000,000 per accident combined single limit (CSL).

C. Worker's Compensation

The **CONTRACTOR** shall, throughout the period of this contract, maintain in full force and effect a policy of workers compensation insurance covering all its employees and volunteers.

D. Additional Insured Notices

Said policies shall name the **DISTRICT** as an additional insured and shall constitute primary insurance as to the **DISTRICT**, its officers, agents and employees, so that any other policies held by the **DISTRICT** shall not contribute to any loss under said insurance. Said policies shall provide for thirty- (30) days prior written notice to the **DISTRICT** of cancellation or material change.

The **CONTRACTOR** shall not execute this contract until certificates, or other sufficient proof of compliance with these insurance provisions (as stated in Section IV. A, IV. B and IV. C of this Agreement) are filed with the **DISTRICT**.

If the **CONTRACTOR** does not keep such insurance in full force and effect, the **DISTRICT** may take out the necessary insurance, and the **CONTRACTOR** agrees to pay the cost of said insurance.

SECTION V. EXAMINATION OF THE SITE

It shall be the responsibility of the **CONTRACTOR** to examine the job site before submitting this bid. No allowance will be made in the **CONTRACTOR'S** behalf for any extra expense he may incur due to his failure to acquaint himself with the extent of work to be done and the conditions under which the work is to be performed.

SECTION VI. CONTROL OF TRAFFIC

The **CONTRACTOR** shall furnish, erect and maintain all barricades, lights or other warning devices as necessary in order to insure the safe movement of vehicles and pedestrians as they may come into contact with hazards resulting from the execution of this contract. The **CONTRACTOR** shall not block traffic lanes on adjacent streets without the expressed consent of the **DISTRICT**. When traffic lanes on adjacent streets are to be blocked, the **CONTRACTOR** shall notify the **DISTRICT** of the specific times during which the street(s) will be blocked.

SECTION VII. SAFETY

The **CONTRACTOR** is hereby specifically informed that under the contract he has the sole responsibility for the safety of his work, including his workers, equipment and that of subcontractors or of the general public as they may come in contact with the work. The Engineer or Inspector has specifically not been hired to review **CONTRACTOR'S** safety or methods of operation.

The Contractor shall be responsible for all injuries or deaths to persons and all damage to property of **DISTRICT** or others caused by or resulting from the negligence of **CONTRACTOR**, its employees, agents, or subcontractors during the progress of, or connected with, rendition of services herein rendered. The Contractor shall defend and hold harmless and indemnify **DISTRICT** and all its officers and employees of **DISTRICT** from all costs and payments for damages for injuries or deaths arising out of the negligence of performance of work of the **CONTRACTOR** or its subcontractors under this Agreement.

SECTION VIII. PAYMENT

Payment for the work specified in these provisions will be made at the **LUMP SUM** amount bid upon notice of completion. The contract price paid for the said work shall be considered as full compensation for furnishing all labor, materials, tools and equipment necessary to perform the work as specified herein.

SECTION IX. SECURITY REQUIRED

All bids shall be presented under sealed cover and shall be accompanied by a bidder's security in an amount not less than 10 percent of the bid in one of the forms authorized by California Public Contract Code section 20724, i.e., cash, a cashier's check payable to the District, a certified check payable to the District, or a bidder's bond executed by an admitted surety insurer, made payable to the District. Additionally, if the bid amount is in excess of \$25,000 then a payment bond will be required before performance of the work pursuant to Civil Code Section 3247.

SECTION X. EQUIPMENT SPECIFICATION

All materials and equipment used in the installation of the electrical power pedestals will conform to Underwriter's Laboratories standards and the American National Standards Institute (ANSI). Installation of electrical systems must abide with the California Electrical code standards.

The licensed electrical contractor will install 143 supplied new electrical power pedestals for Humboldt Bay Harbor District at Woodley Island Marina for the existing floating docks at specified locations.

Harbor District Staff, working with and under the electrical contractor's direction, will remove existing electrical power pedestals.

Existing loop feed wiring and conduit will be used when possible. Licensed electrical contractor will perform all electrical connections.

All hardware used in the installation of the electrical power pedestals will be stainless steel.

Electrical power pedestals will be mounted to existing mounting boards and weldment support brackets when possible.

All blocking as needed will be treated wood.

Layout of 143 new supplied electrical power pedestals locations and their new configurations are contained herein as Exhibit B.

Marina slip layout is contained herein as Exhibit C.

Eaton Marina Power and Lighting is the manufacturer of the electrical power pedestals. Their installation instructions are contained herein as Exhibit D.

Use of transformers may be required in some locations to facilitate the new power box requirements. Located at BW-03, A-End East.

Transformers will be of stainless steel and marine grade.

Transformers will be mounted on separate mounting brackets made of (minimum) 3/16-inch stainless steel.

Installation of electrical power pedestals will be in accordance with all Humboldt County, State of California and Federal codes.

Warranty: Installing contractor will warrant installation of 143 supplied new electrical power pedestals, wiring, connectors, lugs, brackets and transformers and all other items used to complete the installation for 3 years.

Overall project not to exceed forty thousand dollars (\$40,000.00).

EXHIBIT B

Humboldt Bay Harbor, Recreation and Conservation District
 Alan Bobillot, Director of Maintenance 707-834-3397

Dock Electrical Power Pedestals						
DOCK	# OF Pedestals	AMPERAGE 30 amp	AMPERAGE 50 amp	AMPERAGE OTHER	# OF METERS	SERVICE PORTS
BW	10	8	9	3	21	4
A-Dock	15	35	18	2	55	3
B-Dock	12	32	16	0	48	3
C-Dock	13	37	2	0	39	4
D-Dock	13	43	2	1	46	3
E-Dock	14	50	2	0	52	4
F-Dock	14	38	2	0	40	4
G-Dock	16	30	2	0	32	4
H-Dock	16	30	2	0	32	4
I-Dock	20	36	2	0	38	6
TOTALS	143	339	57	6	403	39

Ordered one additional pedestal 4x30amp110v, 4 x meters

LEGEND	
Blue	Service ports
Green	Special Instructions
Pink	No power pedestal needed

KEY CODE	NUMBER NEEDED	DESCRIPTION
1A	43	2 x 30amp-100v, 2 x meters
1B	18	2 x 30amp-110v, 2 x meters, 1 x service port
1C	1	2 x 50amp-110v, 2 x meters
2C	1	2 x 50amp-110v, 2 x meters, slimline pedestal
1D	1	1 x 50amp-208-3phase, 1 x 50amp-110v, 2 x meters, 1 x service port
2D	1	1 x 50amp-220v, 1 x 50amp-110v, 2 x meters, slimline pedestal
3D	1	1 x 50amp-208-3phase, 1 x 50amp-110v, 2 x meters, slimline pedestal
4D	1	2 x 50amp-110v, 2 x meters, 1 x service port
1E	30	4 x 30amp-110v, 4 x meters
2E	7	4 x 30amp-110v, 4 x meters, 1 x service port
3E	4	2 x 30amp-110v, 2 x 50amp-110v, 4 x meters, 1 x service port
4E	12	2 x 30amp-110v, 2 x 50amp-110v, 4 x meters
5E	1	1 x 30amp-110v, 2 x 50amp-110v, 3 x meters
6E	1	1 x 50amp-220v, 1 x 50amp-208-3phase, 2 x meters
1F	1	3 x 30amp-110v, 1 x 50amp-110v, 4 meters, 1 x service port
2F	1	3 x 30amp-110v, 1 x 50amp-110v, 4 meters
3F	1	3 x 30amp-110v, 3 meters, 1 x service port
4F	2	2 x 30amp-110v, 1 x 50amp-110v, 3 x meters, 1 x service port
5F	3	2 x 30amp-110v, 1 x 50amp-110v, 3 x meters
FF	2	1 x 30amp-110v, 1 x 50amp-220v, 2 x meters
1G	6	1 x 30amp-110v, 1 x 50amp-110v, 2 x meters
2G	1	1 x 30amp-110v, 1 x 50amp-110v, 2 x meters, 1 x service port, slimline pedestal
3G	2	3 x 30amp-110v, 3 x meters
4G	2	1 x 30amp-110v, 1 x 50amp-110v, 2 meters, 1 x service port
II	1	Base Unit only
TOTAL	144	

Dock Electrical Power Pedestals

DOCK	# OF Pedestals	AMPERAGE 30 amp	AMPERAGE 50 amp	AMPERAGE OTHER	# OF METERS	SERVICE PORTS	COMMENTS
BWA-01	1	2	0	0	2	0	2 x 30 amp, 2 x meters
BWA-02	1	2	0	0	2	1	2 x 30 amp, 2 x meters, 1 x service port
BWA-03	1	2	0	0	2	0	2 x 30 amp, 2 x meters
BWA-04	1	2	0	0	2	1	2 x 30 amp, 2 x meters, 1 x service port
<hr/>							
BW-01	1	0	2	0	2	0	2 x 50 amp-110, 2 meters
BW-02	1	0	2	0	2	0	2 x 50 amp-110, 2 meters SLIM LINE BOX
BW-03	1	0	1	1	2	1	1 x 50 amp-208-3-phase, 1 x 50 amp-110, 2 meters, 1 service port
BW-04	1	0	1	1	2	0	1 x 50 amp-220, 1 x 50 amp-110, 2 meters, SLIM LINE BOX
BW-05	1	0	2	0	2	1	2 x 50 amp-110, 2 meters, 1 service port
BW-06	1	0	1	1	2	0	1 x 50 amp-208-3-phase, 1 x 50 amp-110, 2 meters, SLIM LINE BOX facing south
BW-06 - HSU	0	0	0	0	1	0	HSU - SPECIAL INSTRUCTIONS ADD METER ONLY
TOTALS	10	8	9	3	21	4	

Dock Electrical Power Pedestals

DOCK	# OF Pedestals	AMPERAGE 30 amp	AMPERAGE 50 amp	AMPERAGE OTHER	# OF METERS	SERVICE PORTS	COMMENTS
A-02	1	4	0	0	4	1	4 x 30 amp, 4 x meters, 1 x service port
A-04	none						
A-06	1	4	0	0	4	0	4 x 30 amp, 4 x meters
A-08	none						
A-10	1	2	2	0	4	1	2 x 30 amp, 2 x 50 amp, 4 x meters, 1 x service port
A-12	none						
A-14	1	2	2	0	4	0	2 x 30 amp, 2 x 50 amp, 4 x meters
A-16	none						
A-18	1	2	2	0	4	1	2 x 30 amp, 2 x 50 amp, 4 x meters, 1 x service port
A-20	none						
A-22	1	2	2	0	4	0	2 x 30 amp, 2 x 50 amp, 4 x meters
A-24	1	1	2	0	3	0	1 x 30 amp, 2 x 50 amp, 3 x meters
A-END-E	1	0	0	2	2	0	1 x 50 amp-220V, 1 x 50 amp-208 3-phase, 2 meters
A-01	1	2	0	0	2	0	2 x 30 amp, 2 meters
A-03	none						
A-05	1	4	0	0	4	0	4 x 30 amp, 4 x meters
A-07	none						
A-09	1	4	0	0	4	0	4 x 30 amp, 4 x meters
A-11	none						
A-13	1	2	2	0	4	0	2 x 30 amp, 2 x 50 amp, 4 x meters
A-15	none						
A-17	1	2	2	0	4	0	2 x 30 amp, 2 x 50 amp, 4 x meters
A-19	none						
A-21	1	2	2	0	4	0	2 x 30 amp, 2 x 50 amp, 4 x meters
A-23	1	2	2	0	4	0	2 x 30 amp, 2 x 50 amp, 4 x meters
TOTALS	15	35	18	2	55	3	

OF Pedestals

OF METERS

SERVICE PORTS

Dock Electrical Power Pedestals

DOCK	# OF Pedestals	AMPERAGE 30	AMPERAGE 50	AMPERAGE OTHER	# OF METERS	SERVICE PORTS	COMMENTS
B-02	1	3	1	0	4	1	3 x 30 amp, 1 x 50amp, 4 x meters, 1 x service port
B-04	none						
B-06	1	2	2	0	4	0	2 x 30 amp, 2 x 50 amp, 4 x meters
B-08	none						
B-10	1	4	0	0	4	1	4 x 30 amp, 4 x meters, 1 x service port
B-12	none						
B-14	1	2	2	0	4	0	2 x 30 amp, 2 x 50 amp, 4 x meters
B-16	none						
B-18	1	2	2	0	4	1	2 x 30 amp, 2 x 50 amp, 4 x meters, 1 x service port
B-20	1	2	2	0	4	0	2 x 30 amp, 2 x 50 amp, 4 x meters
B-01	1	3	1	0	4	0	3 x 30 amp, 1 x 50 amp, 4 meters
B-03	none						
B-05	1	4	0	0	4	0	4 x 30 amp, 4 x meters
B-07	none						
B-09	1	4	0	0	4	0	4 x 30 amp, 4 x meters
B-11	none						
B-13	1	2	2	0	4	0	2 x 30 amp, 2 x 50 amp, 4 x meters
B-15	none						
B-17	1	2	2	0	4	0	2 x 30 amp, 2 x 50 amp, 4 x meters
B-19	1	2	2	0	4	0	2 x 30 amp, 2 x 50 amp, 4 x meters

OF SERVICE PORTS

TOTALS	12	32	16	0	48	3	
---------------	-----------	-----------	-----------	----------	-----------	----------	--

Dock Electrical Power Pedestals

DOCK	# OF Pedestals	AMPERAGE 30	AMPERAGE 50	AMPERAGE OTHER	# OF METERS	SERVICE PORTS	COMMENTS
C-02	1	3	0	0	3	1	3 x 30 amp, 3 x meters, 1 x service port
C-04	none						
C-06	1	4	0	0	4	0	4 x 30 amp, 4 x meters
C-08	none						
C-10	1	4	0	0	4	1	4 x 30 amp, 4 x meters, 1 x service port
C-12	none						
C-14	1	4	0	0	4	0	4 x 30 amp, 4 x meters
C-16	none						
C-18	1	4	0	0	4	1	4 x 30 amp, 4 x meters, 1 x service port
C-20	none						
C-22	1	4	0	0	4	0	4 x 30 amp, 4 x meters
C-24	1	2	1	0	3	1	2 x 30 amp, 1 x 50 amp, 3 x meters, 1 x service port
C-03	none						
C-05	1	2	0	0	2	0	2 x 30 amp, 2 x meters
C-07	none						
C-09	1	2	0	0	2	0	2 x 30 amp, 2 x meters
C-11	none						
C-13	1	2	0	0	2	0	2 x 30 amp, 2 x meters
C-15	none						
C-17	1	2	0	0	2	0	2 x 30 amp, 2 x meters
C-19	none						
C-21	1	2	0	0	2	0	2 x 30 amp, 2 x meters
C-23	1	2	1	0	3	0	2 x 30 amp, 1 x 50 amp, 3 x meters

TOTALS	# OF Pedestals	AMPERAGE 30	AMPERAGE 50	AMPERAGE OTHER	# OF METERS	SERVICE PORTS	
	13	37	2	0	39	4	

Dock Electrical Power Pedestals

DOCK	# OF Pedestals	AMPERAGE 30	AMPERAGE 50	AMPERAGE OTHER	# OF METERS	SERVICE PORTS	COMMENTS
D-02	none						
D-04	none						
D-06	1	4	0	0	4	0	4 x 30 amp, 4 x meters
D-08	none						
D-10	1	4	0	0	4	1	4 x 30 amp, 4 x meters, 1 x service port
D-12	none						
D-14	1	4	0	0	4	0	4 x 30 amp, 4 x meters
D-16	none						
D-18	1	4	0	0	4	1	4 x 30 amp, 4 x meters, 1 x service port
D-20	none						
D-22	1	4	0	0	4	0	4 x 30 amp, 4 x meters
D-24	1	1	0	1	2	2	1 x 30 amp, 1 x 50amp-220v, 2 x meters
D-01	1	1	1	0	2	0	1 x 30 amp, 1 x 50 amp, 1 x 50 amp, 2 x meters
D-03	none						
D-05	1	4	0	0	4	0	4 x 30 amp, 4 x meters
D-07	none						
D-09	1	4	0	0	4	0	4 x 30 amp, 4 x meters
D-11	none						
D-13	1	4	0	0	4	0	4 x 30 amp, 4 x meters
D-15	none						
D-17	1	4	0	0	4	0	4 x 30 amp, 4 x meters
D-19	none						
D-21	1	4	0	0	4	0	4 x 30 amp, 4 x meters
D-23	1	1	1	0	2	1	1 x 30 amp, 1 x 50 amp, 2 x meters, 1 x service port, SLIM LINE BOX
TOTALS	13	43	2	1	46	3	

OF Pedestals

OF METERS

SERVICE PORTS

Dock Electrical Power Pedestals

DOCK	# OF Pedestals	AMPERAGE 30	AMPERAGE 50	AMPERAGE OTHER	# OF METERS	SERVICE PORTS	COMMENTS
E-02	1	3	0	0	3	1	3 x 30 amp, 3 x meters, 1 x service port
E-04	none						
E-06	1	4	0	0	4	0	4 x 30 amp, 4 x meters
E-08	none						
E-10	1	4	0	0	4	1	4 x 30 amp, 4 x meters, 1 x service port
E-12	none						
E-14	1	4	0	0	4	0	4 x 30 amp, 4 x meters
E-16	none						
E-18	1	4	0	0	4	1	4 x 30 amp, 4 x meters, 1 x service port
E-20	none						
E-22	1	4	0	0	4	0	4 x 30 amp, 4 x meters
E-24	1	2	1	0	3	1	2 x 30 amp, 1 x 50 amp, 3 x meters, 1 x service port
E-01	1	3	0	0	3	0	3 x 30 amp, 3 x meters
E-03	none						
E-05	1	4	0	0	4	0	4 x 30 amp, 4 x meters
E-07	none						
E-09	1	4	0	0	4	0	4 x 30 amp, 4 x meters
E-11	none						
E-13	1	4	0	0	4	0	4 x 30 amp, 4 x meters
E-15	none						
E-17	1	4	0	0	4	0	4 x 30 amp, 4 x meters
E-19	none						
E-21	1	4	0	0	4	0	4 x 30 amp, 4 x meters
E-23	1	2	1	0	3	0	2 x 30 amp, 1 x 50 amp, 3 x meters

TOTALS	# OF Pedestals	50	2	0	52	# OF SERVICE PORTS	4
	14						

Dock Electrical Power Pedestals

DOCK	# OF Pedestals	AMPERAGE 30	AMPERAGE 50	AMPERAGE OTHER	# OF METERS	SERVICE PORTS	COMMENTS
F-02	1	2	0	0	2	1	2 x 30 amp, 2 x meters, 1 x service port
F-04	none						
F-06	1	2	0	0	2	0	2 x 30 amp, 2 x meters
F-08	none						
F-10	1	2	0	0	2	1	2 x 30 amp, 2 x meters, 1 x service port
F-12	none						
F-14	1	2	0	0	2	0	2 x 30 amp, 2 x meters
F-16	none						
F-18	1	2	0	0	2	1	2 x 30 amp, 2 x meters, 1 x service port
F-20	none						
F-22	1	2	0	0	2	0	2 x 30 amp, 2 x meters
F-24	1	1	1	0	2	1	1 x 30 amp, 1 x 50 amp, 2 x meters, 1 x service port
F-01	1	3	0	0	3	0	3 x 30 amp, 3 x meters
F-03	none						
F-05	1	4	0	0	4	0	4 x 30 amp, 4 x meters
F-07	none						
F-09	1	4	0	0	4	0	4 x 30 amp, 4 x meters
F-11	none						
F-13	1	4	0	0	4	0	4 x 30 amp, 4 x meters
F-15	none						
F-17	1	4	0	0	4	0	4 x 30 amp, 4 x meters
F-19	none						
F-21	1	4	0	0	4	0	4 x 30 amp, 4 x meters
F-23	1	2	1	0	3	0	2 x 30 amp, 1 x 50 amp, 3 x meters
FEND	USCG						No Change Needed
TOTALS	14 Pedestals	38	2	0	40 METERS	4 SERVICE PORTS	

Dock Electrical Power Pedestals

DOCK	# OF Pedestals	AMPERAGE 30			AMPERAGE 50		AMPERAGE OTHER		# OF METERS	SERVICE PORTS	COMMENTS
		30	50	OTHER	50	OTHER					
G-02	1	2	0	0	0	0	2	1	2 x 30 amp, 2 x meters, 1 x service port		
G-04	none										
G-06	1	2	0	0	0	0	2	0	2 x 30 amp, 2 x meters		
G-08	none										
G-10	1	2	0	0	0	2	1	2 x 30 amp, 2 x meters, 1 x service port			
G-12	none										
G-14	1	2	0	0	0	2	0	2 x 30 amp, 2 x meters			
G-16	none										
G-18	1	2	0	0	0	2	1	2 x 30 amp, 2 x meters, 1 x service port			
G-20	none										
G-22	1	2	0	0	0	2	0	2 x 30 amp, 2 x meters			
G-24	none										
G-26	1	2	0	0	0	2	1	2 x 30 amp, 2 x meters, 1 x service port			
G-28	1	1	1	0	0	2	0	1 x 30 amp, 1 x 50 amp, 2 x meters			
G-01	1	2	0	0	0	2	0	2 x 30 amp, 2 x meters			
G-03	none										
G-05	1	2	0	0	0	2	0	2 x 30 amp, 2 x meters			
G-07	none										
G-09	1	2	0	0	0	2	0	2 x 30 amp, 2 x meters			
G-11	none										
G-13	1	2	0	0	0	2	0	2 x 30 amp, 2 x meters			
G-15	none										
G-17	1	2	0	0	0	2	0	2 x 30 amp, 2 x meters			
G-19	none										
G-21	1	2	0	0	0	2	0	2 x 30 amp, 2 x meters			
G-23	none										
G-25	1	2	0	0	0	2	0	2 x 30 amp, 2 x meters			
G-27	1	1	1	0	0	2	0	1 x 30 amp, 1 x 50 amp, 2 x meters			
TOTALS	16	30	2	0	0	32	4				

OF Pedestals # OF SERVICE METERS PORTS

Dock Electrical Power Pedestals

DOCK	# OF Pedestals	AMPERAGE 30	AMPERAGE 50	AMPERAGE OTHER	# OF METERS	SERVICE PORTS	COMMENTS
H-02	1	2	0	0	2	1	2 x 30 amp, 2 x meters, 1 x service port
H-04	none						
H-06	1	2	0	0	2	0	2 x 30 amp, 2 x meters
H-08	none						
H-10	1	2	0	0	2	1	2 x 30 amp, 2 x meters, 1 x service port
H-12	none						
H-14	1	2	0	0	2	0	2 x 30 amp, 2 x meters
H-16	none						
H-18	1	2	0	0	2	1	2 x 30 amp, 2 x meters, 1 x service port
H-20	none						
H-22	1	2	0	0	2	0	2 x 30 amp, 2 x meters
H-24	none						
H-26	1	2	0	0	2	1	2 x 30 amp, 2 x meters, 1 x service port
H-28	1	1	1	0	2	0	1 x 30 amp, 1 x 50 amp
H-01	1	2	0	0	2	0	2 x 30 amp, 2 x meters
H-03	none						
H-05	1	2	0	0	2	0	2 x 30 amp, 2 x meters
H-07	none						
H-09	1	2	0	0	2	0	2 x 30 amp, 2 x meters
H-11	none						
H-13	1	2	0	0	2	0	2 x 30 amp, 2 x meters
H-15	none						
H-17	1	2	0	0	2	0	2 x 30 amp, 2 x meters
H-19	none						
H-21	1	2	0	0	2	0	2 x 30 amp, 2 x meters
H-23	none						
H-25	1	2	0	0	2	0	2 x 30 amp, 2 x meters
H-27	1	1	1	0	2	0	1 x 30 amp, 1 x 50 amp, 2 x meters

TOTALS	# OF Pedestals	AMPERAGE 30	AMPERAGE 50	AMPERAGE OTHER	# OF METERS	SERVICE PORTS	COMMENTS
	16	30	2	0	32	4	

Dock Electrical Power Pedestals

DOCK	# OF Pedestals	AMPERAGE 30	AMPERAGE 50	AMPERAGE OTHER	# OF METERS	SERVICE PORTS	COMMENTS
I-02	1	0	0	0	0	0	Base Unit Only
I-04	none						
I-06	1	2	0	0	2	1	2 x 30 amp, 2 x meters, 1 x service port
I-08	none						
I-10	1	2	0	0	2	0	2 x 30 amp, 2 x meters
I-12	none						
I-14	1	2	0	0	2	1	2 x 30 amp, 2 x meters, 1 x service port
I-16	none						
I-18	1	2	0	0	2	0	2 x 30 amp, 2 x meters
I-20	none						
I-22	1	2	0	0	2	1	2 x 30 amp, 2 x meters, 1 x service port
I-24	none						
I-26	1	2	0	0	2	0	2 x 30 amp, 2 x meters
I-28	none						
I-30	1	2	0	0	2	1	2 x 30 amp, 2 x meters, 1 x service port
I-32	none						
I-34	1	2	0	0	2	0	2 x 30 amp, 2 x meters
I-36	1	1	1	0	2	1	1 x 30 amp, 1 x 50 amp, 2 x meters, 1 x service port
I-01	1	2	0	0	2	1	2 x 30 amp, 2 x meters, 1 x service port
I-03	none						
I-05	1	2	0	0	2	0	2 x 30 amp, 2 x meters
I-07	none						
I-09	1	2	0	0	2	0	2 x 30 amp, 2 x meters
I-11	none						
I-13	1	2	0	0	2	0	2 x 30 amp, 2 x meters
I-15	none						
I-17	1	2	0	0	2	0	2 x 30 amp, 2 x meters
I-19	none						
I-21	1	2	0	0	2	0	2 x 30 amp, 2 x meters

Dock Electrical Power Pedestals

DOCK	# OF Pedestals	AMPERAGE 30	AMPERAGE 50	AMPERAGE OTHER	# OF METERS	SERVICE PORTS	COMMENTS
I-23	none						
I-25	1	2	0	0	2	0	2 x 30 amp, 2 x meters
I-27	none						
I-29	1	2	0	0	2	0	2 x 30 amp, 2 x meters
I-31	none						
I-33	1	2	0	0	2	0	2 x 30 amp, 2 x meters
I-35	1	1	1	0	2	0	1 x 30 amp, 1 x 50 amp, 2 x meters
TOTALS	20	36	2	0	38	6	

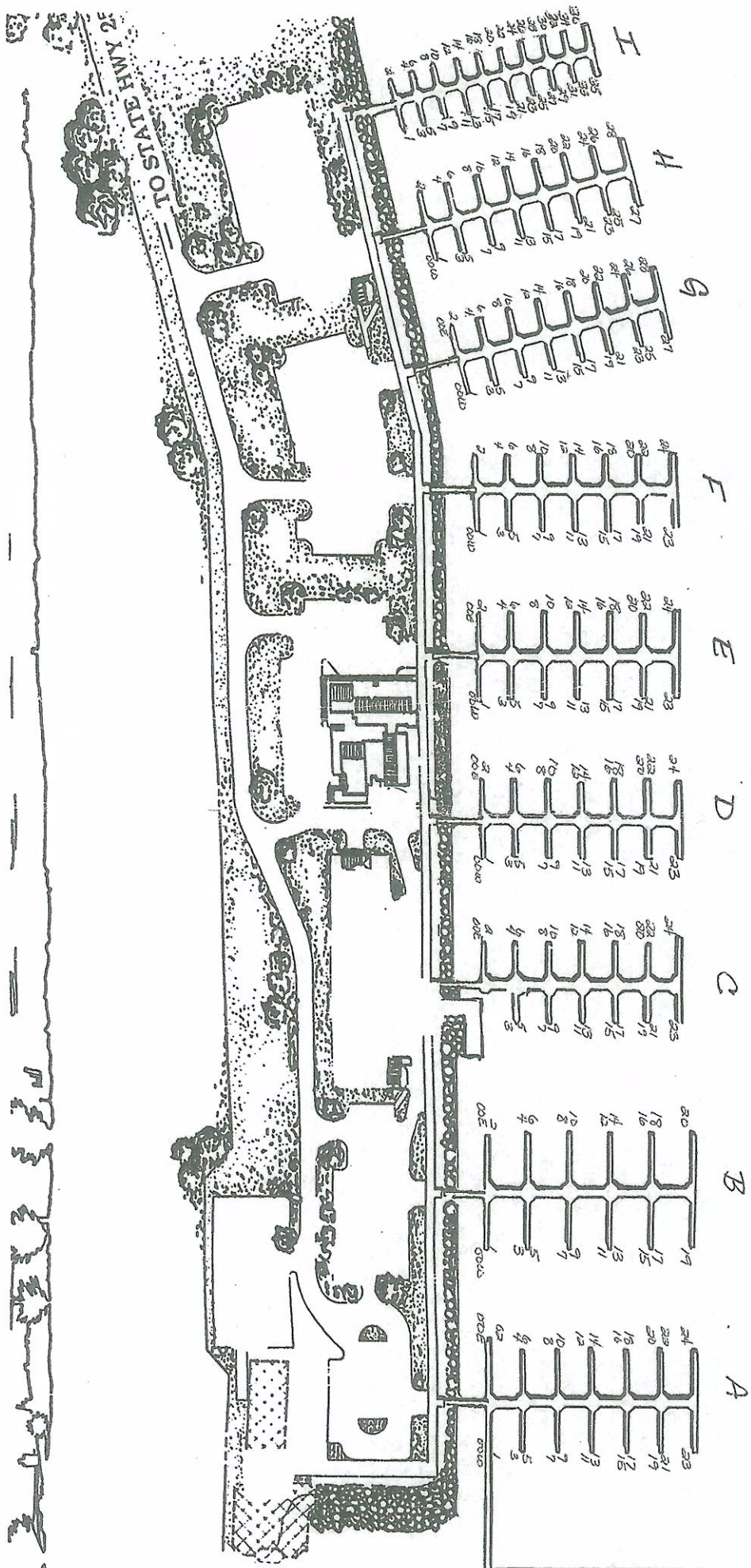
OF Pedestals

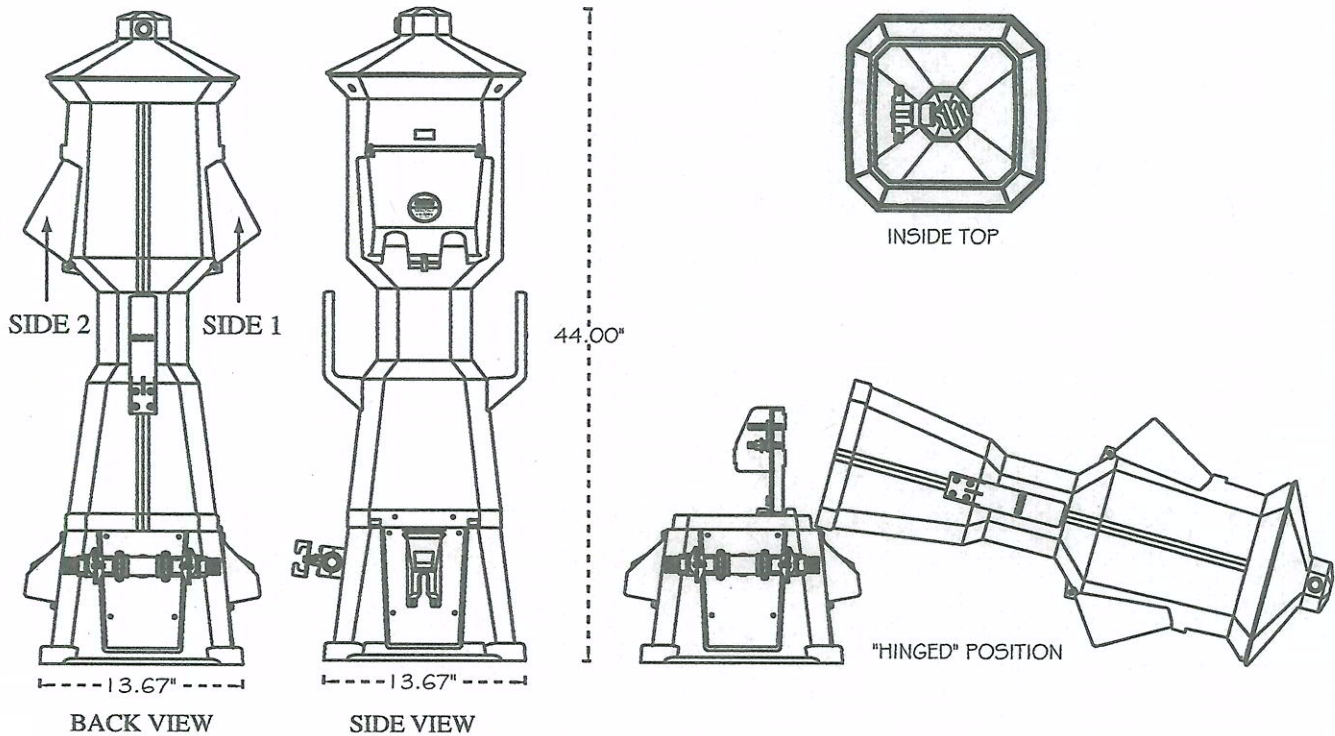
OF METERS

SERVICE PORTS

EXHIBIT C

WOODLEY ISLAND MARINA





• Receptacles and Breakers

The receptacles and breakers should be examined annually, and if any sign of heating is evident, the receptacles or breakers should be replaced.

• Solvents

DO NOT spray any solvents on the electrical components. Solvents will cause stress cracking of the polymeric materials and will void warranty.

3 Lighting Assembly

To test the lighting assembly, the photocell should be covered with a piece of black tape and in about 2-3 minutes the light should illuminate. If this does not occur, the following items should be checked: photocell and bulb.

4 Winterizing

The water system should be purged with air and each ball valve should be opened and closed after the system has been drained. This will remove the slug of water that remains in the ball. No other winterizing functions are required.

Operation

1 Connect Power Cord to Boat

Insert the proper end of the shore power cord into the boat's power inlet connection, twist the plug to lock, then tighten the locking plug retainer by twisting the large nut until the unit is tight to the boat.

2 Connect Power Cord to Pedestal

With the breakers off, insert the shore power cord into the receptacle and twist the plug clockwise until the plug locks into the receptacle.

3 Turn Breaker ON

With both connections secured, turn on the breaker. The power indicator on the boat should indicate a successful attachment of the plug and the receptacle.

Parts

Save 10% When You Buy Parts and Pedestals Online!

Please visit www.dockboxes.com for a full parts listing.

To request a parts handbook:

- Call 1-800-559-4269 or
- E-mail sales1@ultimatemarinesource.com

Warranty Policy

Dock Boxes Unlimited, Inc. ("Seller") Warranty Policy Supplement to Seller's Selling Policy 25-000.

This Warranty Policy is intended to only supplement and/or alter the "Warranty" provision of Seller's Selling Policy 25-000. All other terms and conditions contained in the Selling Policy 25-000 remain in full force and effect.

Warranty for Pedestals and Distribution Equipment Housings for Dock Boxes Unlimited, Inc. Products

Seller warrants that the housings of all Pedestals and Distribution Equipment manufactured by it ("Housings") will conform to Seller's applicable specifications and be free from failure due to defects in workmanship and material for the lifetime of the Product.

In the event the Housing fails to comply with the foregoing warranty Seller will, at its option, either (a) repair or replace the defective Housing, or defective part or component thereof, F.O.B. Seller's facility freight prepaid,

or (b) credit Buyer for the purchase price of the Product. All warranty claims for Housings shall be made in writing. Seller requires all non-conforming Products be returned at Seller's expense for evaluation unless specifically stated otherwise in writing by Seller.

This warranty does not cover failure or damage due to storage, installation, operation or maintenance not in conformance with Seller's recommendations and industry standard practice or due to accident, misuse, abuse or negligence. This warranty does not cover reimbursement for labor, gaining access, removal, installation, temporary power or any other expenses, which may be incurred in connection with repair or replacement.

This warranty does not apply to equipment not manufactured by Seller. Seller limits itself to extending the same warranty it receives from the supplier.

Warranty for Internal Components for Dock Boxes Unlimited, Inc. Products

Dock Boxes Unlimited, Inc. internal component products are covered under the warranty set forth in Seller's Selling Policy 25-000.

Warranty for Meters for Dock Boxes Unlimited, Inc. Products

Seller warrants that the meters manufactured by it ("Meters") will conform to Seller's applicable specifications and be free from failure due to defects in workmanship and material for five (5) years.

In the event a Meter fails to comply with the foregoing warranty Seller will, at its option, either (a) repair or replace the defective Meter, or defective part or component thereof, F.O.B. Seller's facility freight prepaid, or (b) credit Buyer for the purchase price of the Product. All warranty claims for Meters shall be made in writing. Seller requires all non-conforming Products be returned at Seller's expense for evaluation unless specifically stated otherwise in writing by Seller.

This warranty does not cover failure or dam-

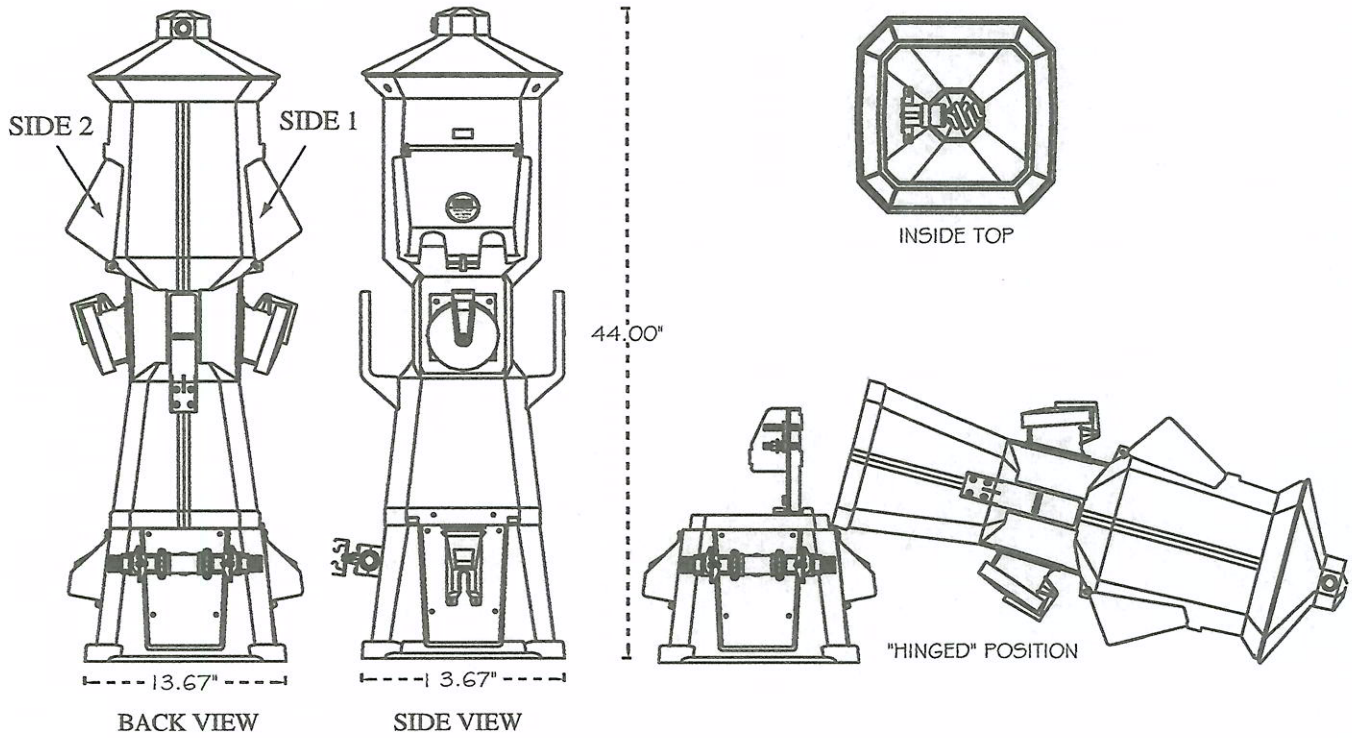
age due to storage, installation, operation or maintenance not in conformance with Seller's recommendations and industry standard practice or due to accident, misuse, abuse or negligence. This warranty does not cover reimbursement for labor, gaining access, removal, installation, temporary power or any other expenses, which may be incurred in connection with repair or replacement. This Warranty is void if factory seal is broken.

This warranty does not cover wire harnesses, Current Transformers (CTs) and counters. These components are covered under selling policy 25-000.

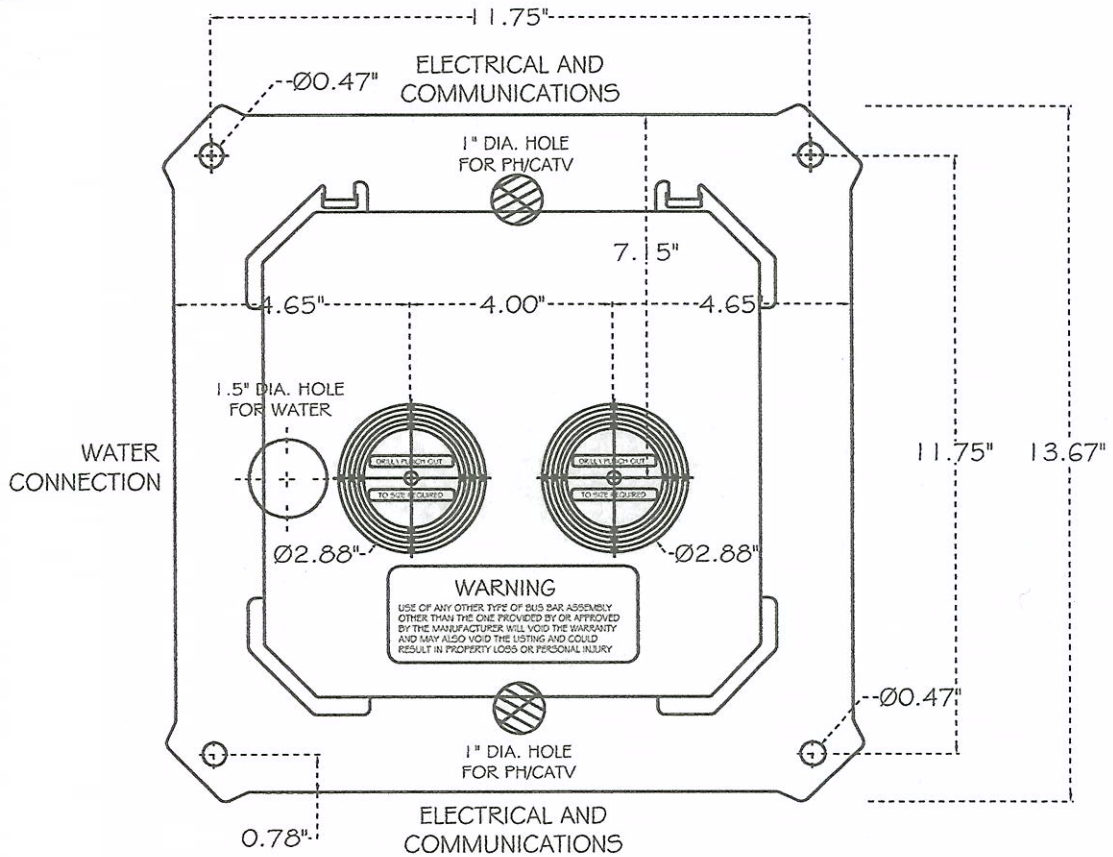
This warranty does not apply to equipment not manufactured by Seller. Seller limits itself to extending the same warranty it receives from the supplier.

Dock Boxes Unlimited, Inc.
5605 North MacArthur Blvd., Ste 200
Irving, TX 75038-2630
United States
1-800-559-4269
fax: 972-402-9995
www.dockboxes.com
sales1@ultimatemarinesource.com

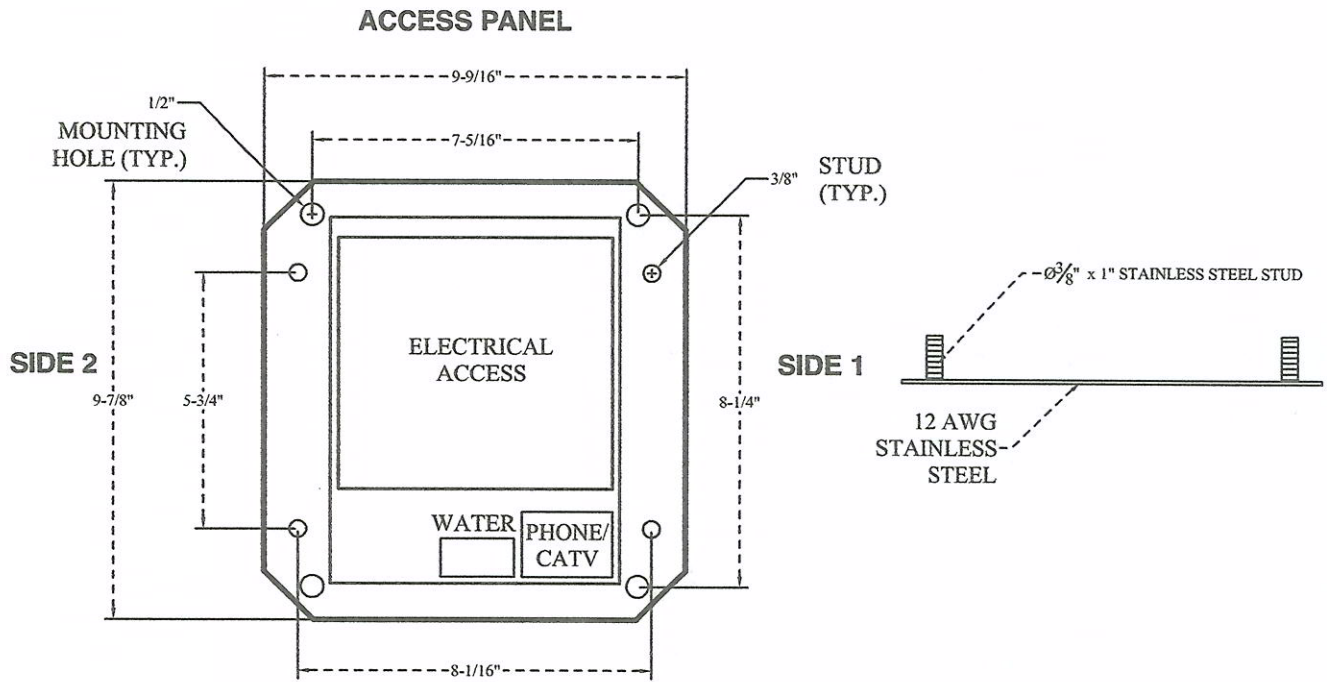
**Lighthouse Power Pedestal with
Dual 100 Amp Receptacles
Dimensions**



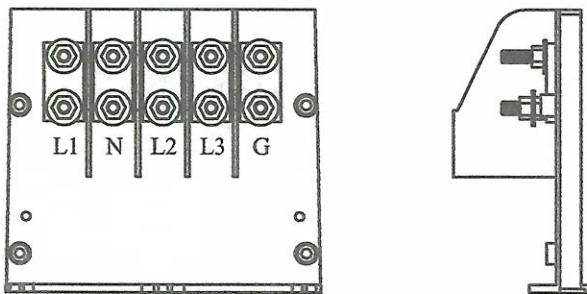
Base Diagram



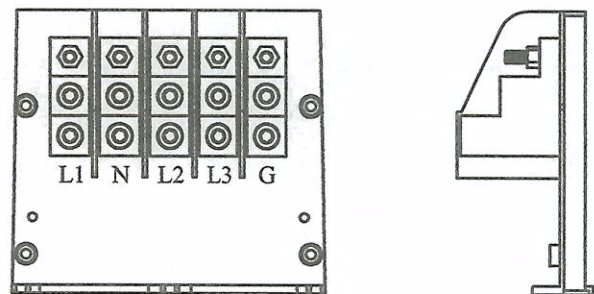
Base Diagram



Buss Bar Assemblies



**STANDARD LOOP FEED
BUSS BAR ASSEMBLY
SINGLE PHASE OR THREE PHASE**



**MECHANICAL LUG
BUSS BAR ASSEMBLY
SINGLE PHASE OR THREE PHASE**

Communication Assemblies

COMMUNICATION ASSEMBLIES INCLUDE ISOLATION BOXES FOR INTERNAL CONNECTIONS.

CONNECTIONS AVAILABLE:

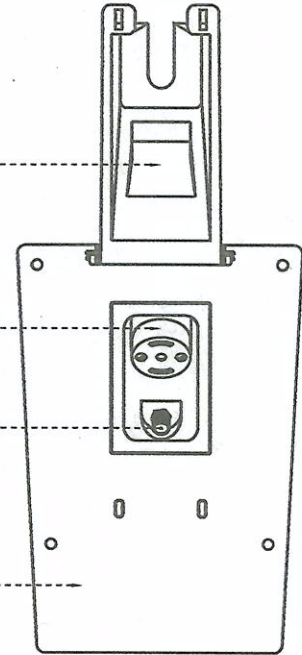
- MARINE TWISTLOCK TELEPHONE
- RJ12 CAT3 TELEPHONE JACK (HOUSEHOLD PHONE)
- RJ45 CAT5 HIGH-SPEED INTERNET JACK
- COAX CABLE TV FCF FEMALE CONNECTION

WEATHERPROOF
IN-USE COVER

MARINE TELEPHONE
RECEPTACLE

COAX CABLE TV
CONNECTION

REMOVABLE
ACCESS PLATE

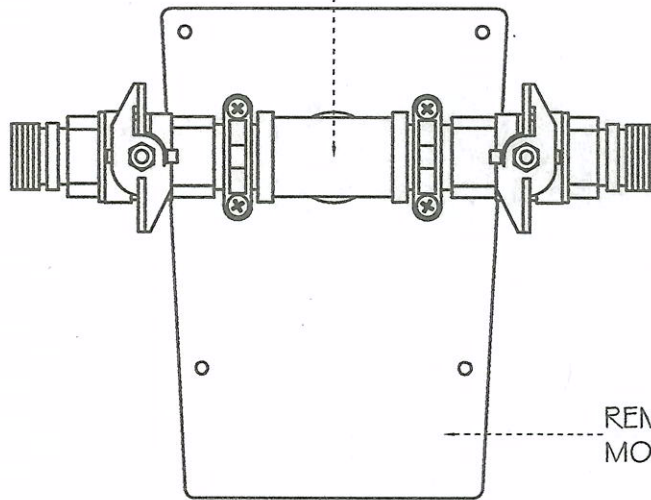


Water Assembly

SINGLE 3/4" THREADED
FEMALE CONNECTION

3/4" HOSE BIB

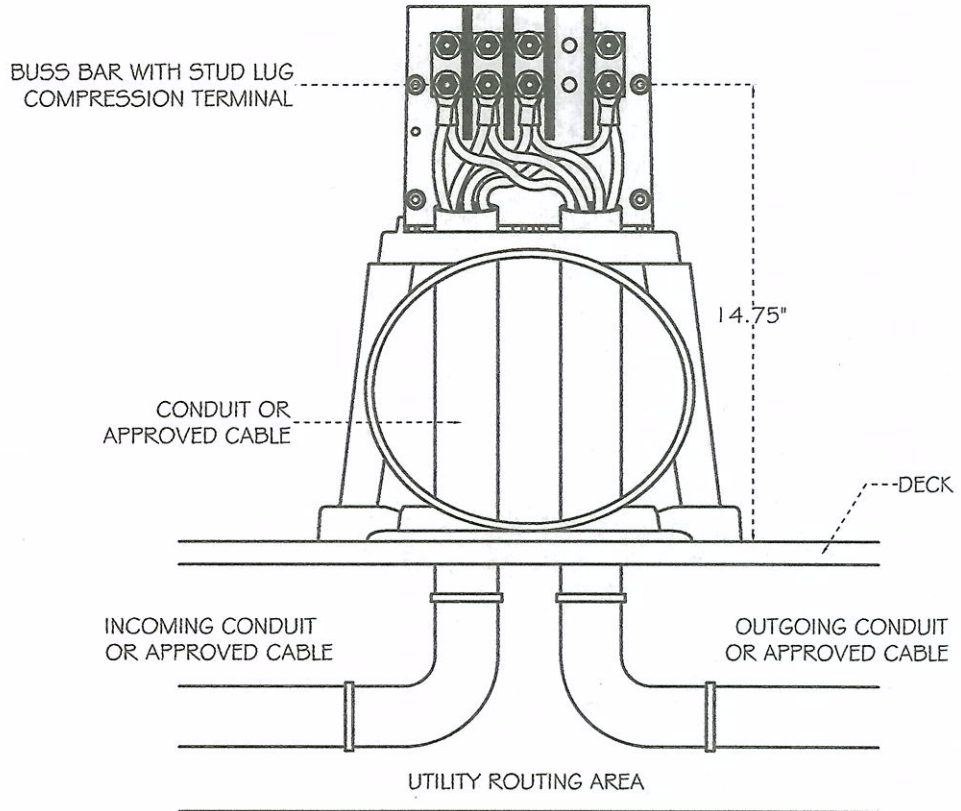
REMOVABLE
MOUNTING PLATE



Wiring Diagram

Wire Colors

(Line 1) L1	Black
(Neutral) N	White
(Line 2) L2	Red
(Line 3) L3	Blue
(Ground) G	Green



Compression Terminals (Not Included)

Contractor needs to crimp terminals to line wires and place on provided stud lug connector.

Installation

Note

We strongly recommend that a qualified electrical contractor install this unit.

The ease and simplicity of installing the Lighthouse makes it the pedestal of choice for many electricians. The design allows all work to be completed out in the open with no confining workspaces.

1 Securing the Base and Mounting the Pedestal

Always use stainless steel hardware and a stainless steel washer between the bolt head and the mounting feet.

See the attached dimensional drawing of the base of the Lighthouse. Suggested locations for the power supply as well as water, phone and cable TV utilities are identified. We recommend that you prepare the mounting of the base as follows:

(Refer to mounting base diagram)

• On Concrete Docks

At each corner, utilize four 3/8" compression bolts or threaded rod set in the concrete on 11.75" centers for through-hole mounting of the Lighthouse base.

• On Wood Docks

At each corner, utilize four 3/8" bolts or lag screws on 11.75" center for through-hole mounting of the Lighthouse base. Always use stainless bolts and washers to prevent damage while mounting the base.

• On Both Concrete and Wood Docks

The mounting surface must be flat and

level. If cupped deck boards or an irregular concrete surface are under the base mount feet, stainless washers should be used to shim the base level before the tightening the mounting bolts or screws.

2 Connecting Power Supply to the Pedestal Buss Bars

Remove the four corner screws (10" from the bottom of the pedestal) that attach the top housing of the pedestal to the base.

There is an integral plastic hook hinge on one side and with the screws removed, you can hinge the top section open and fold it gently down to the deck. This will expose the loop feed 3/8" compression style stud lug buss bars.

An electrician will need to crimp wire terminations on power supply lines and attach the leads as directed by the wiring diagram instructions located within this packet.

A silicone bronze flat washer, Bellville washer (cupped spring) and a nut are provided for each incoming supply line.

3 Water Connection

There are four access panels located on each side of the base. The water assembly is mounted on one specialized panel with two 1/4 turn ball valves.

Remove the water panel to access the backside of the "T" fitting (3/4" female fitting) for connection. We recommend attaching a flexible stainless or black-poly hose from your waterline.

Pull the hose out from under the base and connect it to the back of the "T".

Guide the hose back into the base and reinstall the panel.

4 Phone, Internet, and Cable TV Connection

The phone, Internet, and cable TV receptacles are mounted on another specialized base access panel. Connection is similar to working on the water assembly above.

Remove the access panel.

Pull the phone line and cable out from under the base and connect them to the back side of the receptacles.

Guide the wires back into the base and reinstall the panel.

5 Installing the 13-Watt Compact Fluorescent Light

Replace the bulb about every three years, or if the bulb fails to illuminate by unscrewing the lens and top assumedly from the main housing with a Phillips head screwdriver. Once the top is removed, clean as necessary and replace bulb with the recommended compact fluorescent.

Maintenance

Dock Boxes Unlimited, Inc. produces units that are designed to withstand the harsh marine environment. Very little maintenance is required to keep the units looking new for many years and to keep the warranty effective.

1 Exterior Maintenance

To remove dirt, grime, and bird droppings, use a mild solution of dishwashing detergent at approximately one teaspoon per gallon of warm water. Once clean, follow up with a water based insect spray to kill the spiders around the base and main housing of the unit.

DO NOT use a petroleum based insect spray.

DO NOT use any solvent or corrosion inhibiting products on any part of the unit. This can cause serious stress cracking of the engineered resins and will void warranty.

2 Interior Maintenance

Before attempting the following maintenance procedures, turn off the power to the unit at the power supply panel.

Note

The breakers on the unit DO NOT turn the unit power supply off and the buss bars will be energized.

• Exposing the Buss Bar Assembly

Annually, the four screws holding the top of the unit to the base should be removed and the unit should be tilted over to expose the buss bar area.

• Maintenance of Buss Bar Assembly

On all units, the buss bars should be visually examined for excessive heating. If potentially faulty or loose joints are found, they should be tightened or replaced.

In the cases where mechanical lugs instead of the stud-lug buss assembly are used, it is very important that they be examined closely. Most mechanical lugs are made of aluminum and are very susceptible to galvanic corrosion.

If the set screw cannot be tightened, replace the lug. If there appears to be corrosion around the copper to aluminum connection, remove the copper wire and clean the wire, coat the wire with an anticorrosion grease, and retighten the assembly.

EXHIBIT E:

**BID SHEET
WOODLEY ISLAND MARINA
ELECTRICAL POWER PEDESTALS INSTALLATION**

Bid Item

Bid Amount

**Electrical Power Pedestals Installation
(143 supplied new)**

TOTAL BID (including all taxes)

REFERENCES: Please include names, addresses, and phone numbers of at least three comparable jobs. Please use additional sheet.

I, _____, representing _____
Name Firm

do hereby certify the above bid as true and correct.